

Compuload CL2000



Compact Weighing System for Forklifts, Tractors, Skid Steer and Small Loaders

Compuload
On Board Weighing Systems

- Compact Easy to read 4.3" display
 - Accurate Weighing of every lift
 - 100% Zero Tare facility
 - Avoid Overloading
 - 12-24VDC Compatible
 - -30°C to +75°C operating temperature range
 - Internal Buzzer 85Db
 - IP65 rated
 - Provision for overload alarm
- Optional:**
- Accumulation Software
 - Mast Angle Sensor for forklifts
 - Reverse Camera

Proven Rugged & Reliable

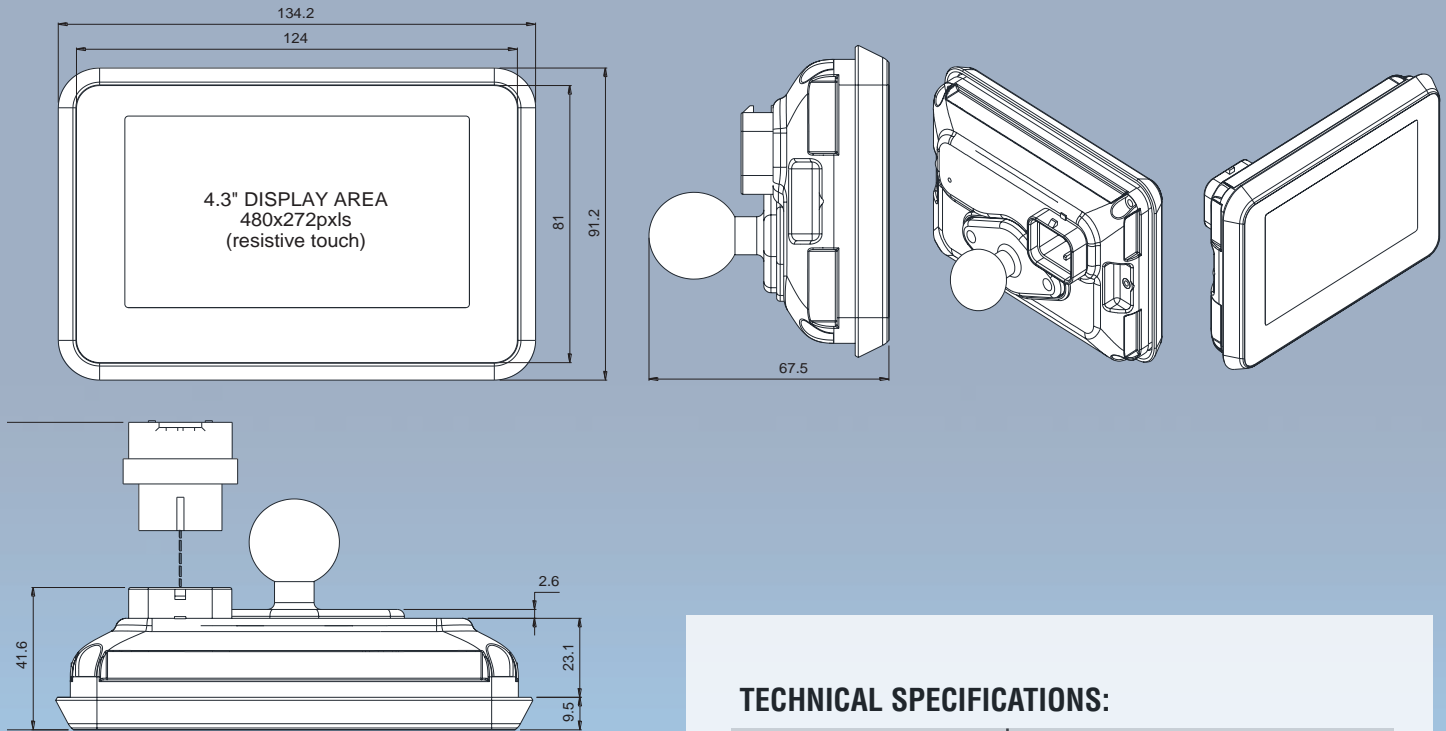
Compuload weighing systems have proven themselves in all types of applications and environments since 1989. Compuload has 1000's of satisfied users. The rugged design ensures continuous operation even when the going gets tough. After continuous development, we now introduce the Compuload CL2000. It is simple to operate and provides reliable and accurate readings.



Compuload CL2000

Compact Weighing System for Forklifts, Tractors, Skid Steer and Small Loaders

The Compuload CL2000 is a general purpose programmable 4.3" display. Compact and modern looking. It can be used indoors or outdoors, rated at IP65.



TECHNICAL SPECIFICATIONS:

Power supply voltage:	8 - 32 V, I max 2A
Operative temperature:	- 30°C ÷ +75°C
Sealing:	IP65
Main CPU:	ARM Cortex M4, 32 bit
Frequency:	180 Mhz
Internal memory:	2MB Program Flash, 64MB SDRAM (Data), 8KB EEPROM
RAM:	260 KB
Display:	TFT 4.3", 480 x 272 pixels, 800 cdm, 600:1 contrast ratio
Sun readability:	Yes
RTC:	Yes
Wake up mode:	Power supply, CAN message
Boot time:	< 3 sec
Internal temperature sensor:	Yes
Buzzer:	85 Db
Video Input (optional):	1 PAL/NTSC standard input
I/O List (optional):	- 2 analog/digital Inputs - 4 Outputs High Side 2A
Connector:	AMP automotive 26 pin
Standards:	CE EMC industrial, automotive